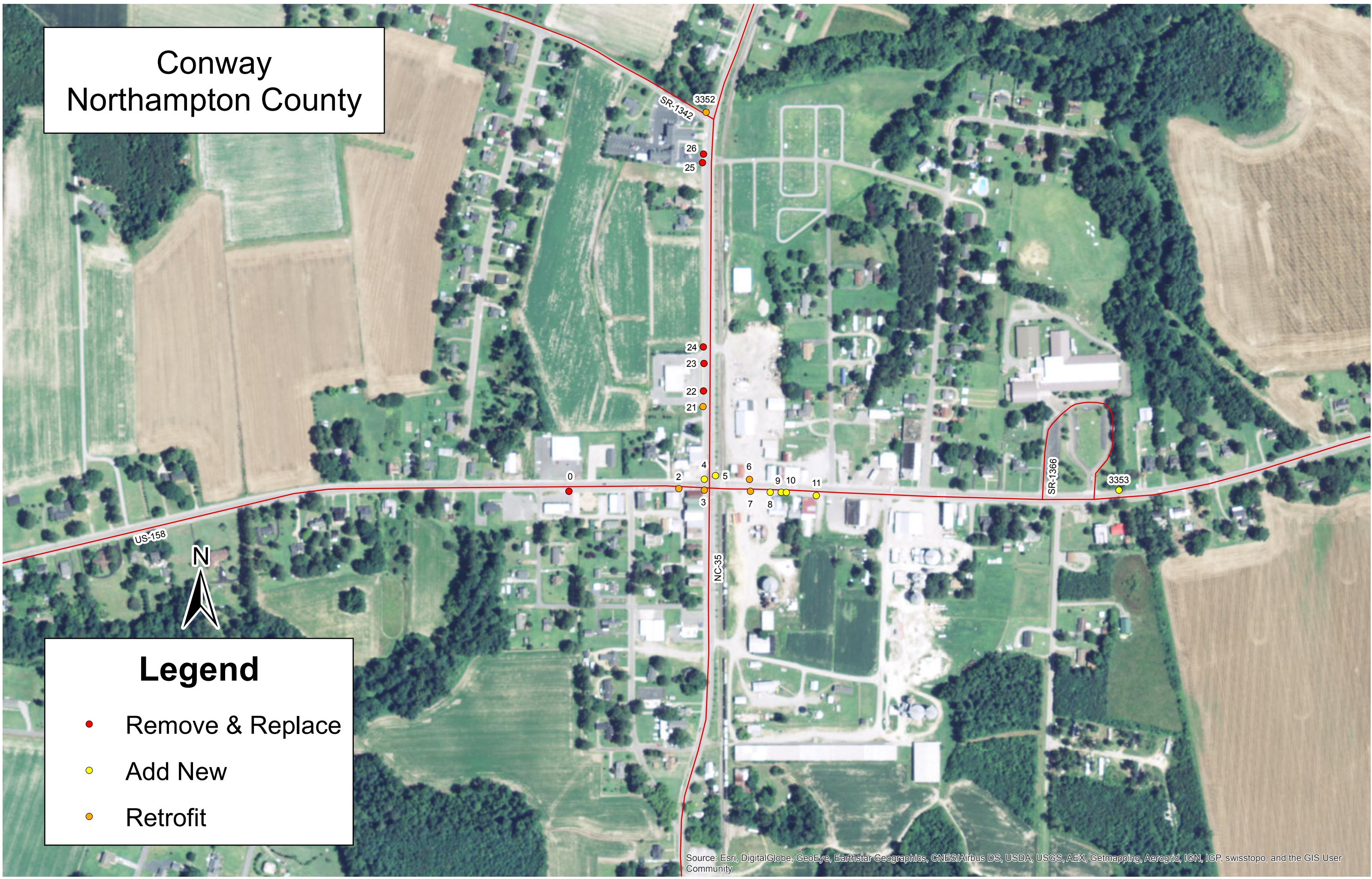


Conway Northampton County



Legend

- Remove & Replace
- Add New
- Retrofit



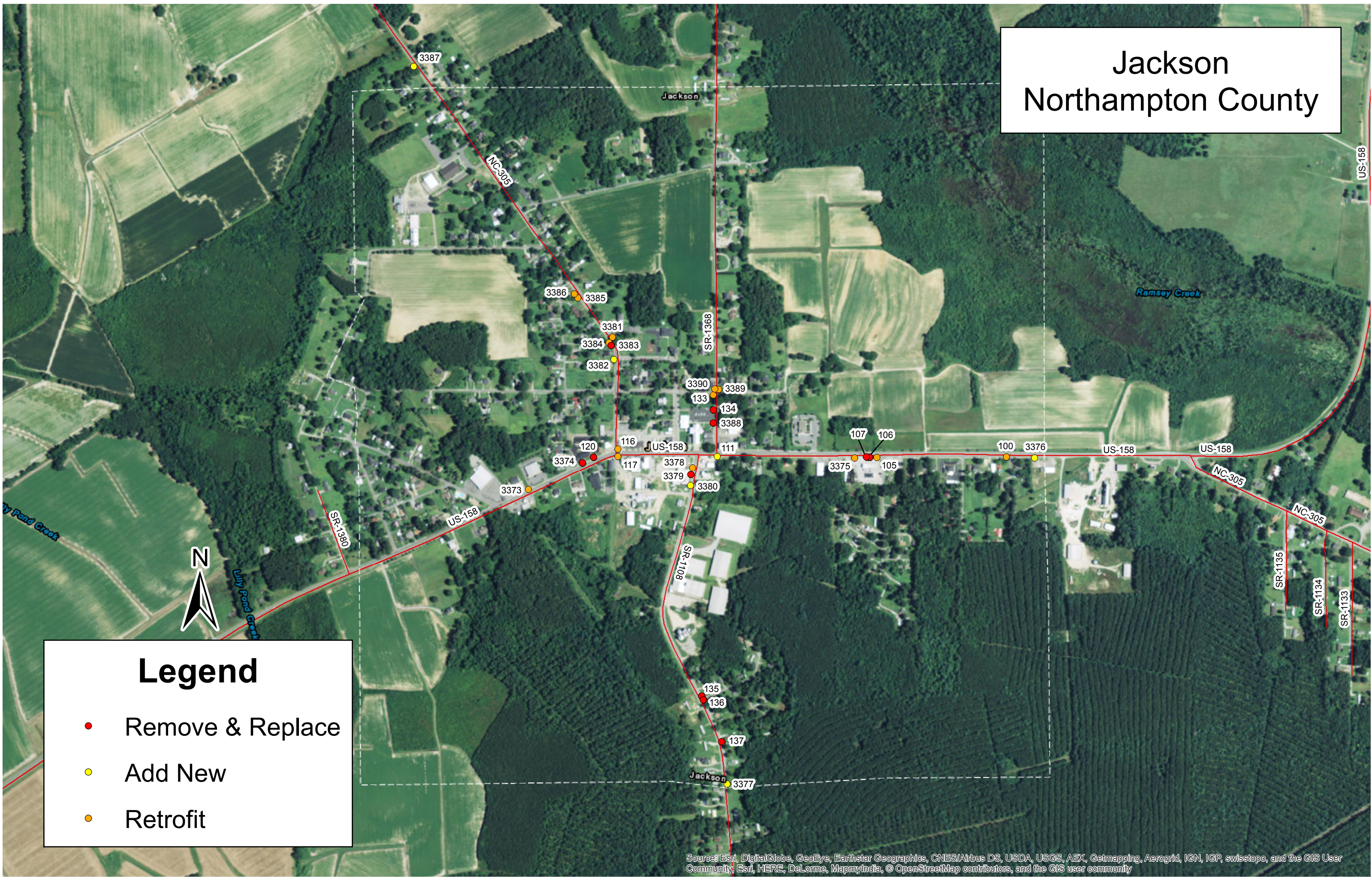
Gaston Northampton County



Legend

- Remove & Replace
- Add New
- Retrofit

Jackson Northampton County



Legend

- Remove & Replace
- Add New
- Retrofit

Source: Esri, DigitalGlobe, GeoEye, Earthstar Geographics, CNES/Airbus DS, USDA, USGS, AEX, Getmapping, Aerogrid, IGN, IGP, swisstopo, and the GIS User Community, Esri, HERE, DeLorme, MapmyIndia, © OpenStreetMap contributors, and the GIS user community

Rich Square Northampton County



Legend

- Remove & Replace
- Add New
- Retrofit

Seaboard Northampton County



Legend

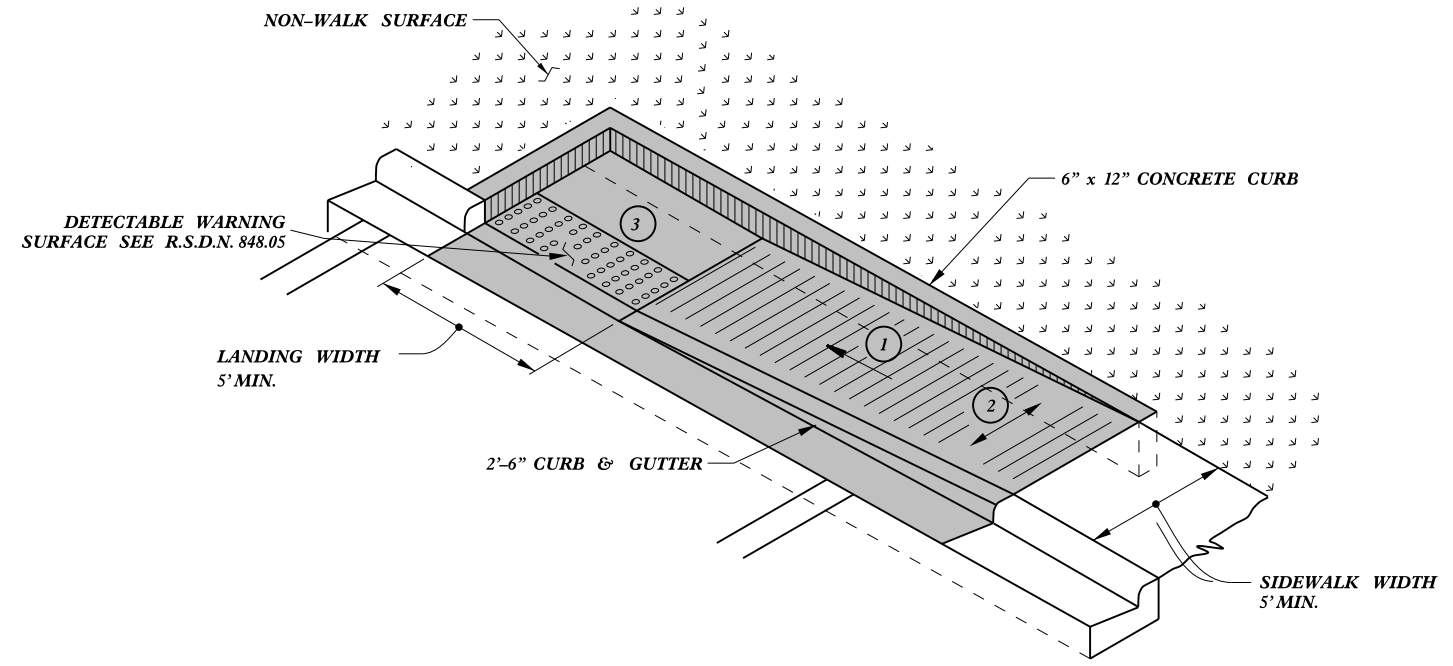
- Remove & Replace
- Add New
- Retrofit


Woodland Northampton County



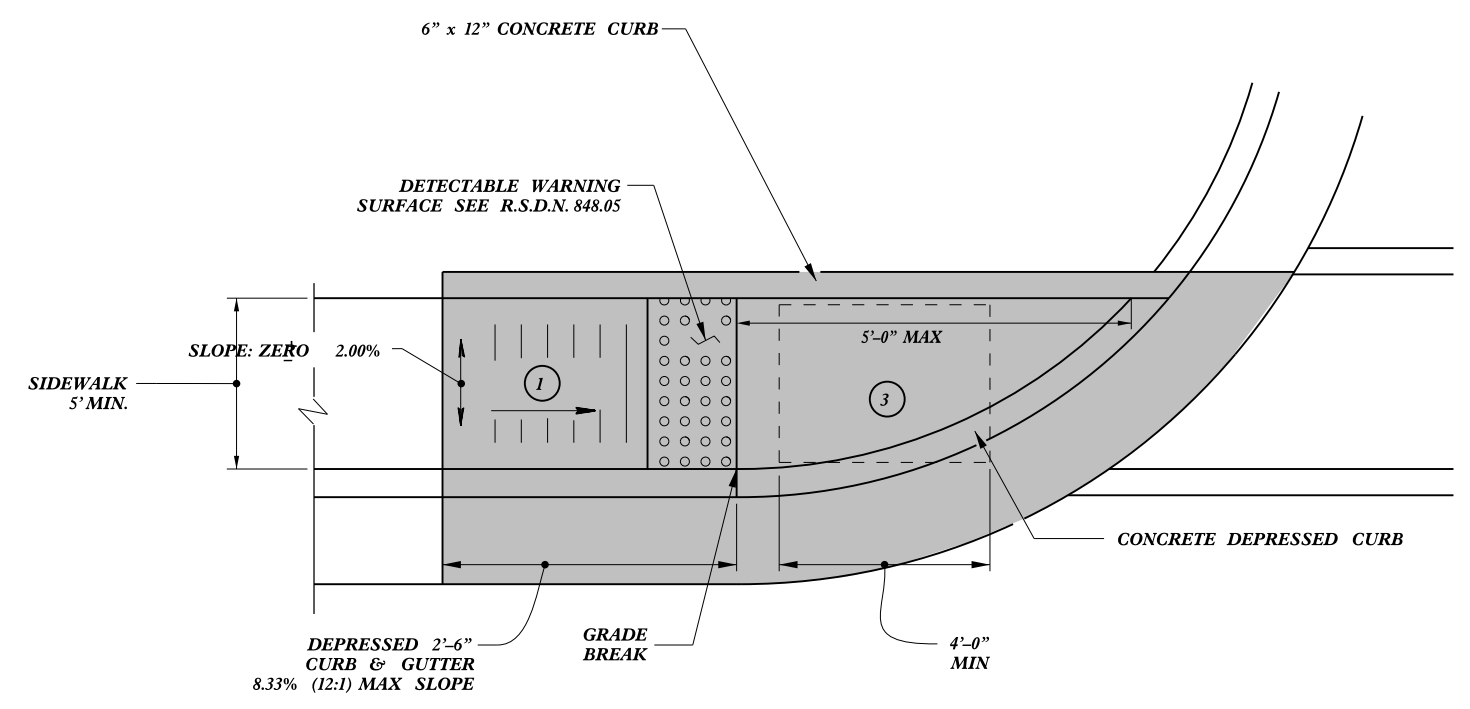
Legend

- Remove & Replace
- Add New
- Retrofit



 PAY LIMITS FOR CURB RAMP

TYPE 1A



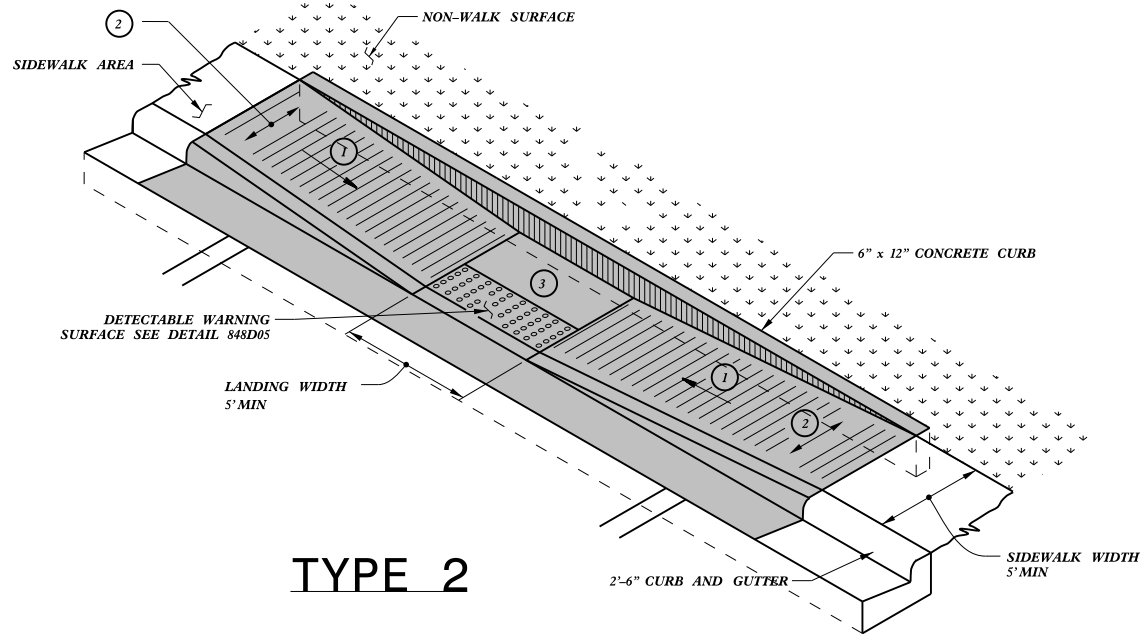
TYPE 1

- ① 8.33% (12:1) MAX RAMP SLOPE
- ② CROSS SLOPE: 2.00%
- ③ CURB RAMPS REQUIRE A (4'-0") MINIMUM LANDING WITH A MAXIMUM CROSS SLOPE AND LONGITUDINAL SLOPE OF 2.00% WHERE PEDESTRIANS PERFORM TURNING MANEUVERS. SLOPE TO DRAIN TO CURB.

REFER TO ROADWAY STANDARD DRAWING NUMBER 848.05 SHEET 3 OF 3 FOR ALL RAMP NOTES

CONTRACT STANDARDS AND DEVELOPMENT UNIT	
Office 919-707-6950	FAX 919-250-4119
CURB RAMPS	
Directional Ramps	
ORIGINAL BY: J.S. HOWERTON	DATE: 7/7/11
MODIFIED BY:	DATE:
CHECKED BY:	DATE:
FILE SPEC: sstds/2012CurbRamp/CurbRampDetails.dwg	

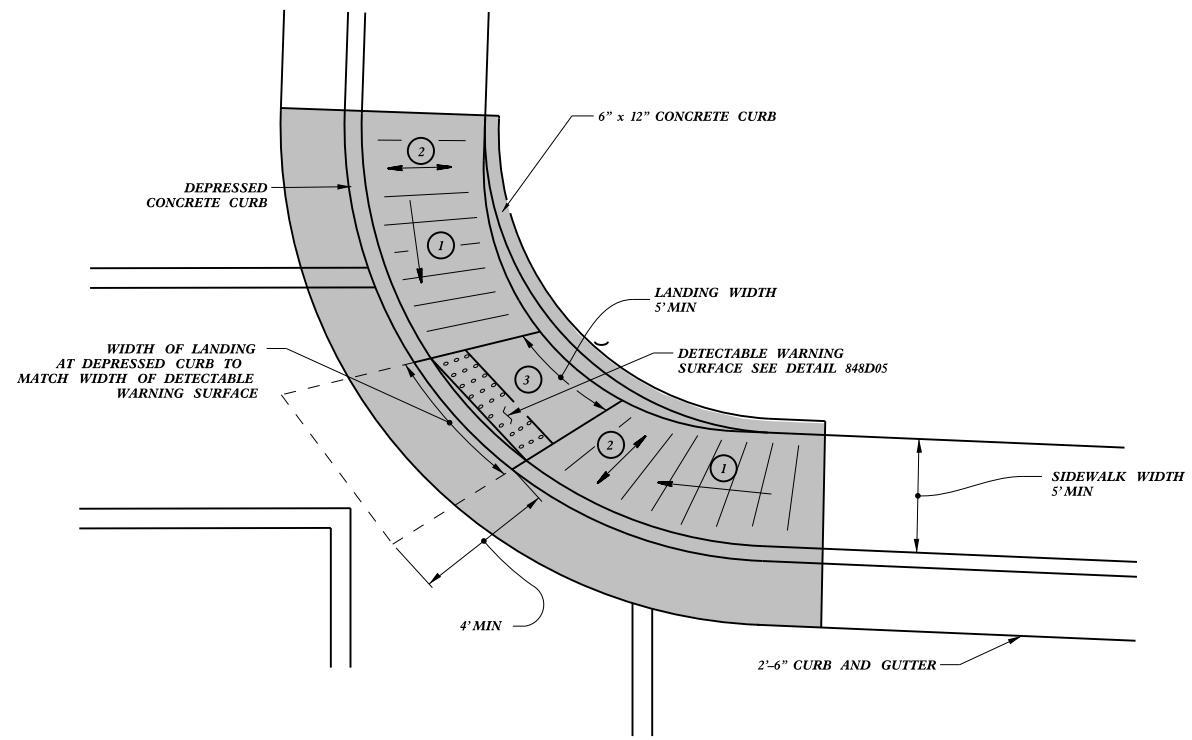
23-MAR-2012 15:05 J:\Projects\2012\Standard Drawings\2012 Standard Drawings\Curb Ramp Special Details\Curb Ramp Details.dwg J.Howerton AT 15023750



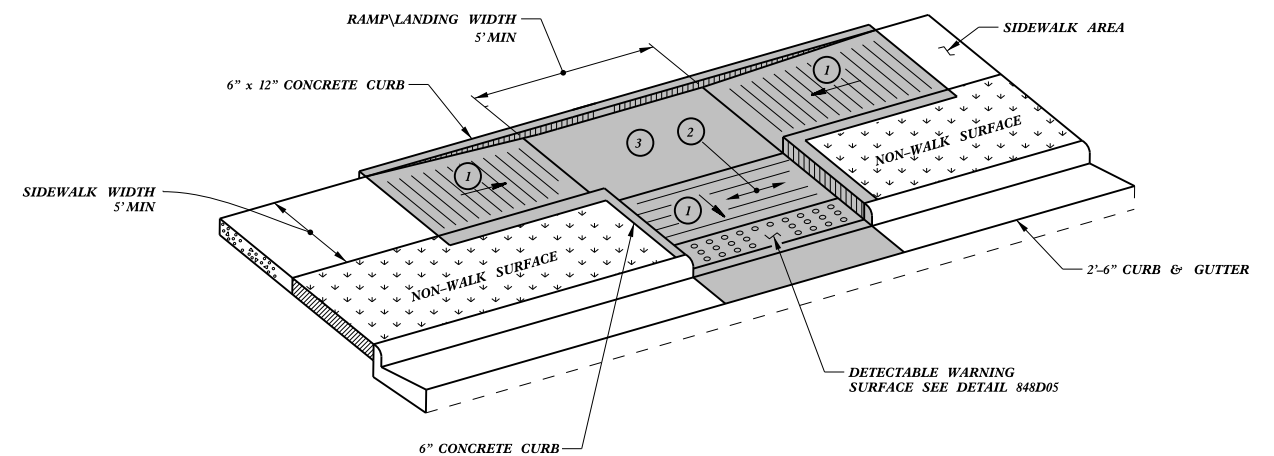
TYPE 2

PAY LIMITS FOR CURB RAMP

- ① 8.33% (12:1) MAX RAMP SLOPE
- ② CROSS SLOPE: 2.00%
- ③ CURB RAMPS REQUIRE A (4'-0") MINIMUM LANDING WITH A MAXIMUM CROSS SLOPE AND LONGITUDINAL SLOPE OF 2.00% WHERE PEDESTRIANS PERFORM TURNING MANEUVERS. SLOPE TO DRAIN TO CURB.



TYPE 2A



TYPE 3

CONTRACT STANDARDS AND DEVELOPMENT UNIT	
Office 919-707-6950	FAX 919-250-4119
CURB RAMPS	
Parallel Ramps	
ORIGINAL BY: J.S. HOWERTON	DATE: 7/7/11
MODIFIED BY:	DATE:
CHECKED BY:	DATE:
FILE SPEC: sstds/2012CurbRamp/CurbRampDetails.dwg	

REFER TO ROADWAY STANDARD DRAWING NUMBER 848.05 SHEET 3 OF 3 FOR ALL RAMP NOTES

23-MAR-2012 15:07 C:\Users\jhowerton\Documents\Standard Drawings\2012 Standard Drawings\Curb Ramp Special Details\Curb Ramp Details.dwg
 Jhowerton AT 05023750

Division	County	Municipality	Major Route	Minor Route	Number of New Ramps	New Ramp ID	Number of Non-Compliant Ramps	Non-Compliant Ramp ID	Number of Remove & Replace Ramps	Remove & Replace Ramp ID
1	NORTHAMPTON	CONWAY	US-158	START SIDEWALK	1	3351	N/A		N/A	
1	NORTHAMPTON	CONWAY	US-158	TOWN HALL	N/A		N/A		1	0
1	NORTHAMPTON	CONWAY	US-158	WOODARD LANE	N/A		1	2	N/A	
1	NORTHAMPTON	CONWAY	US-158 & NC-35		2	4, 5	1	3	N/A	
1	NORTHAMPTON	CONWAY	US-158	PARKING LOT	N/A		2	6, 7	N/A	
1	NORTHAMPTON	CONWAY	US-158	SALON DESIGNZ	3	8, 9, 10	N/A		N/A	
1	NORTHAMPTON	CONWAY	US-158	END SIDEWALK	1	11	N/A		N/A	
1	NORTHAMPTON	CONWAY	US-158	SCHOOL/END SIDEWALK	1	3353	N/A		N/A	
1	NORTHAMPTON	CONWAY	NC-35	FRESENIUS MEDICAL CARE	N/A		1	21	3	22, 23, 24
1	NORTHAMPTON	CONWAY	NC-35	CONWAY BAPTIST CHURCH	N/A		N/A		2	25, 26
1	NORTHAMPTON	CONWAY	NC-35	SR-1342	N/A		1	3352	N/A	
1	NORTHAMPTON	GASTON	NC-46	LONG ST	N/A		N/A		2	72, 73
1	NORTHAMPTON	GASTON	NC-46	BAY ST	N/A		3	74, 75, 76	N/A	
1	NORTHAMPTON	GASTON	NC-46	RANSOME ST	N/A		2	78, 79	1	77
1	NORTHAMPTON	GASTON	NC-46	DARK ST	N/A		2	80, 81	N/A	
1	NORTHAMPTON	GASTON	NC-46	N. RUSSELL ST	N/A		N/A		2	82, 83
1	NORTHAMPTON	GASTON	NC-46	MITCHELL ST	N/A		N/A		1	84
1	NORTHAMPTON	GASTON	NC-46	GRANT ST	N/A		N/A		2	85, 86
1	NORTHAMPTON	GASTON	NC-46	RANSOME ST	N/A		N/A		2	87, 88
1	NORTHAMPTON	GASTON	NC-46	GAY ST	N/A		N/A		2	89, 90
1	NORTHAMPTON	GASTON	NC-46	MYRICK ST	N/A		1	92	1	91
1	NORTHAMPTON	JACKSON	US-158	FAMILY DOLLAR	N/A		1	3373	N/A	
1	NORTHAMPTON	JACKSON	US-158	SOUTHERN BANK	N/A		N/A		2	120, 3374
1	NORTHAMPTON	JACKSON	US-158 & NC-305		N/A		2	116, 117	N/A	
1	NORTHAMPTON	JACKSON	US-158	SR-1368	1	111	N/A		N/A	
1	NORTHAMPTON	JACKSON	US-158	TRADE WILCO	N/A		2	105, 3375	2	106, 107
1	NORTHAMPTON	JACKSON	US-158	FAISON ST	N/A		1	100	N/A	
1	NORTHAMPTON	JACKSON	US-158	START/END SIDEWALK	1	3387	N/A		N/A	
1	NORTHAMPTON	JACKSON	NC-305	FLYTHE ST	N/A		2	3385, 3386	N/A	
1	NORTHAMPTON	JACKSON	NC-305	START/END SIDEWALK	N/A		1	3381	N/A	
1	NORTHAMPTON	JACKSON	NC-305	MOORE ST	N/A		1	3384	1	3383
1	NORTHAMPTON	JACKSON	NC-305	THOMAS BRAGG DR	1	3382	N/A		N/A	
1	NORTHAMPTON	JACKSON		SR-1108 START/END SIDEWALK	1	3377	N/A		N/A	
1	NORTHAMPTON	JACKSON		SR-1108 & BEAMON ST	N/A		N/A		1	137
1	NORTHAMPTON	JACKSON		SR-1108 & DUKE ST	N/A		N/A		2	135, 136
1	NORTHAMPTON	JACKSON		SR-1108 @ POLICE STATION	1	3380	1	3378	1	3379
1	NORTHAMPTON	JACKSON		SR-1368 @ COURTHOUSE	N/A		N/A		2	134, 3388
1	NORTHAMPTON	JACKSON		SR-1368 & CALHOUN ST	N/A		3	133, 3389, 3390	N/A	
1	NORTHAMPTON	RICH SQUARE	US-258	START/END SIDEWALK	1	3358	N/A		N/A	
1	NORTHAMPTON	RICH SQUARE	US-258	START/END SIDEWALK	N/A		1	3359	N/A	
1	NORTHAMPTON	RICH SQUARE	US-258	ASHE ST	N/A		N/A		1	154

Division	County	Municipality	Major Route	Minor Route	Number of New Ramps	New Ramp ID	Number of Non-Compliant Ramps	Non-Compliant Ramp ID	Number of Remove & Replace Ramps	Remove & Replace Ramp ID
1	NORTHAMPTON	RICH SQUARE	US-258	OAK ST	N/A		2	3360, 3361	N/A	
1	NORTHAMPTON	RICH SQUARE	US-258	MAPLE ST	N/A		2	3362, 3363	N/A	
1	NORTHAMPTON	RICH SQUARE	US-258	BANK	N/A		1	3372	N/A	
1	NORTHAMPTON	RICH SQUARE	NC-305	START SIDEWALK	1	3364	N/A		N/A	
1	NORTHAMPTON	RICH SQUARE	NC-305	CHURCH/END SIDEWALK	N/A		1	3367	N/A	
1	NORTHAMPTON	RICH SQUARE	NC-305	MAPLE ST	1	3365	1	3366	N/A	
1	NORTHAMPTON	RICH SQUARE	NC-305	PINE ST	N/A		2	3368, 3369	N/A	
1	NORTHAMPTON	RICH SQUARE	NC-305	QUAIL TRAIL	N/A		1	3371	1	3370
1	NORTHAMPTON	SEABOARD	NC-186 & NC-305		N/A		1	93	N/A	
1	NORTHAMPTON	SEABOARD	NC-305	START/END SIDEWALK	N/A		1	3354	N/A	
1	NORTHAMPTON	SEABOARD	NC-305	CLAY ST	N/A		N/A		1	94
1	NORTHAMPTON	SEABOARD	NC-305	SEABOARD BAPTIST CHURCH	1	96	N/A		N/A	
1	NORTHAMPTON	SEABOARD	NC-305	SR-1370	N/A		1	97	N/A	
1	NORTHAMPTON	WOODLAND	US-258 & NC-35		1	44	1	45	3	41, 42, 43
1	NORTHAMPTON	WOODLAND	US-258	N. SYCAMORE ST	N/A		3	46, 47, 49	1	48
1	NORTHAMPTON	WOODLAND	US-258	MULBERRY ST	1	52	1	50	1	51
1	NORTHAMPTON	WOODLAND	US-258	CHESTNUT ST	N/A		2	53, 54	2	55, 56
1	NORTHAMPTON	WOODLAND	US-258	MAPLE ST	N/A		1	57	N/A	
1	NORTHAMPTON	WOODLAND	US-258	BEECH ST	N/A		N/A		2	58, 59

PROJECT NO.	SHEET NO.
DA00349	

SUMMARY OF QUANTITIES

WBS NO	COUNTIES	ROUTE	DESCRIPTION	MOBILIZATION LS	AC PLANT MIX (REPAIR) TONS	2'-6" CURB & GUTTER LF	4" CONCRETE SIDEWALK SY	CONCRETE CURB RAMPS EA	RETROFIT EXISTING CURB RAMPS EA	REMOVE AND REPLACE CURB RAMPS EA
44911.3.8	Northampton	Various	Curb Ramp Installation and Retrofits	1	15	200	120	20	49	43
TOTAL				1	15	200	120	20	49	43